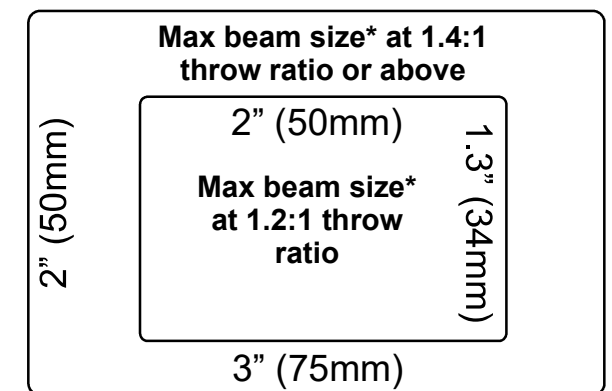
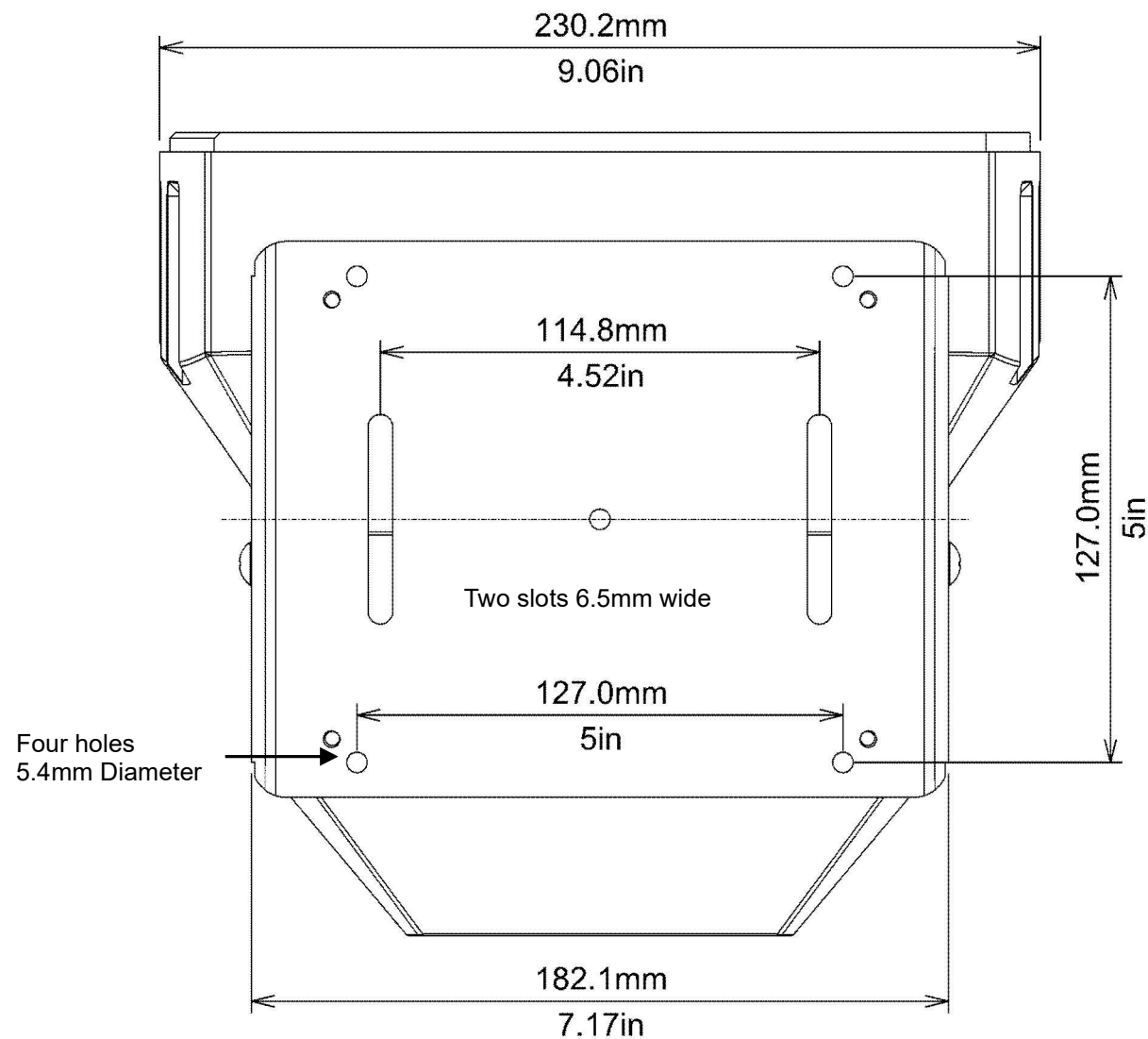


ALPHA PRO

Cinema Format Conversion Lens
Installation Guide

Panamorph[®]
We bring cinema home

For most anamorphic-compatible projectors



* Where beam enters Alpha Pro lens.
Throw ratio is native image width / throw.

CLEANING. Small amounts of dust and wipe marks are very noticeable on lens surfaces with a high brightness projection beam but typically will not impact the image as much as damage from excessive cleaning in pursuit of a "perfect" optical surface. Occasionally blowing off the lens surfaces with clean air is the best way to keep long term performance. If there is any excessive residue or build-up then it is recommended that you clean the optics with Pec-Pad optical wipes and 99% rubbing alcohol while the lens is in front of the lit beam of the projector. This will allow you to quickly see if the cleaning process is causing any damage.

LIMITED WARRANTY. Panamorph, Inc. warrants this product against any change in performance or functionality for a period of twenty-four months from our ship date. During this period, a unit may be repaired or replaced, at the discretion of Panamorph, Inc., by returning it in its original packaging with a copy of your receipt. This warranty does not cover damage resultant from lack of prudent care, accident or misuse (including use with other products in ways not intended); any cosmetic damage not reported within 15 days of purchase; or any performance change caused by the environment in which it is used. All damages are limited to the cost of the product.

Alpha 133 Installation Guide Version 1.0

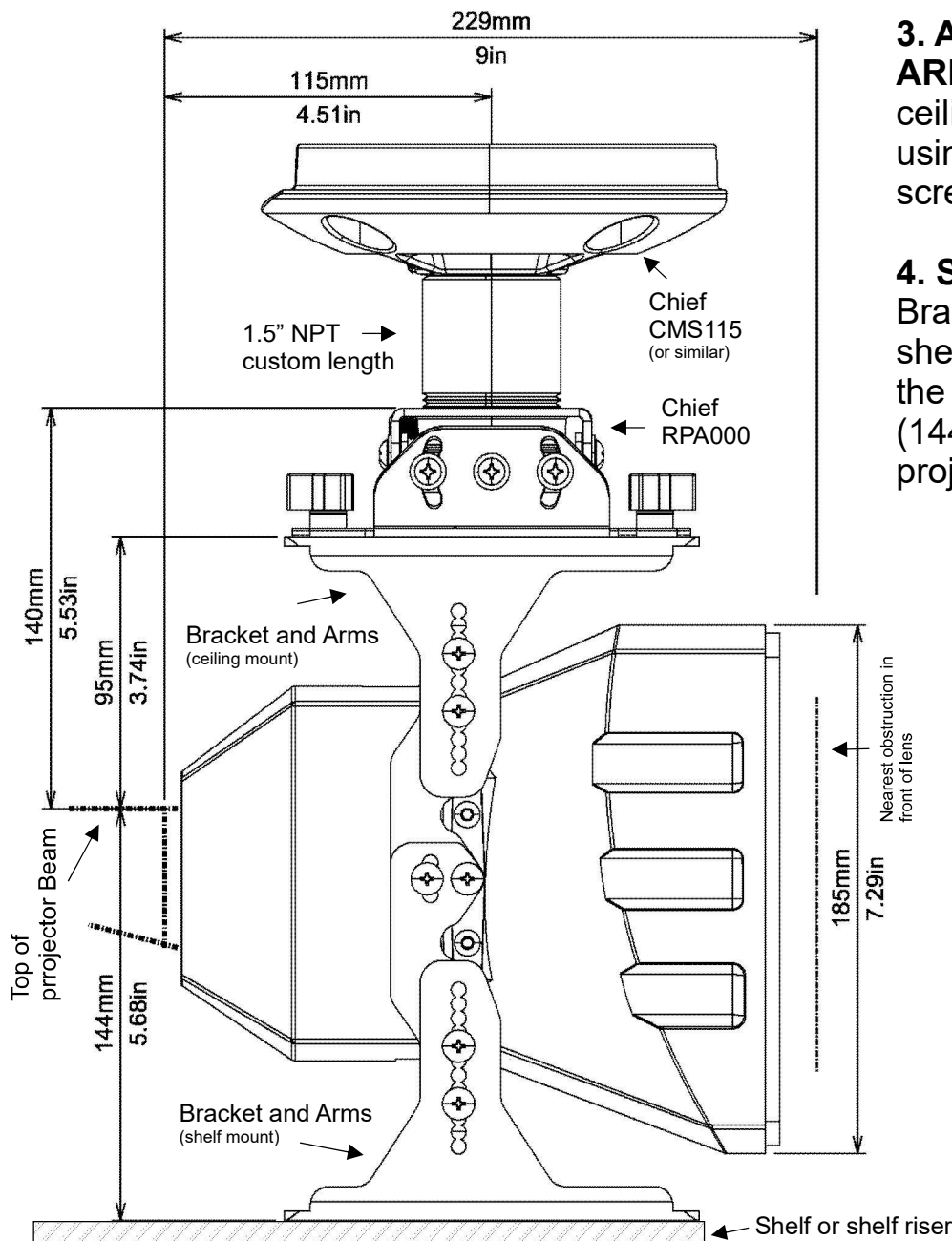
- Supports over 2 million more pixels on your screen for stunning detail and 30% higher brightness when showing content in the 2.4:1 format.
- Sealed all-glass optical design supports distortion-free 8K projection from 15' (4.5m) - 35' (10.7m). Optional add-on components available 4Q25 for longer throw distance.
- Proprietary combination of vertical compression and horizontal expansion creates 10% lower throw ratio range for larger images than the projector can by itself.
- No need for lens adjustments in shift/zoom/focus when changing content. Multiple aspect ratios supported through anamorphic modes.
- Works with 16:9 projectors but supports 17:9 projectors with 16:9 modes.
- Optimized for vertical position of the projector -6" to +16" from screen top and +/- 4" from screen horizontal center (greater range with higher throw ratios).
- Optional mode for 16:9 content to fill a cinema-format 2.4:1 screen (see diagrams).
- Universally mounted in front of the projector from a shelf or from the ceiling. Ceiling mount uses standard Chief ceiling mount components (not included).
- Weight: Lens and bracket: 12 pounds (2.14Kg). Dimensions: See diagrams.

Alpha Pro Lens Installation Steps

NOTE: Do not install lens cap while projector is on. Use a test grid pattern with black background until the entire beam passes completely through lens.

1. INSTALL THE PROJECTOR. Adjust roll, tilt, yaw and both horizontal and vertical lens shift so that a test pattern is square to and centered on the screen.

2. FOR CEILING MOUNTING OF THE LENS*. Use a Chief ceiling plate, RPA000 mount, and a custom 1.5" NPT pipe of appropriate length (parts not included) so that the Bracket top will be 3.75" (95mm) from the TOP of the projector beam, and so the center of the pipe is 4.5" (115mm) from the front of the projector or lens, whichever is closest to the screen. Install the four #10-32 x 3/4" screws up through the bracket; screw the Guides onto the four screws; then install the four knobs for several turns.



3. ATTACH THE BRACKET ARMS to the lens for either ceiling or shelf mount as shown using four total 10-32 phillips screws.

4. SHELF MOUNT*: Attach the Bracket to the shelf or a custom shelf riser (not included) so that the Bracket bottom will be 5.68" (144mm) below the TOP of the projector beam.

5. ATTACH THE LENS TO THE BRACKET ARMS using four total 10-32 phillips screws through the Bracket side holes as shown so the Panamorph Lens logo is facing down.

6. CEILING MOUNT: Install the Lens and Bracket assembly to the Chief RPA000 mount, then tighten the four knobs.

* Bracket (see reverse) should be horizontally centered on projector lens.

7. PLAY A MOVIE, NOT A TEST PATTERN. a) Set the projector according to the 2.4:1 settings shown below; b) play a 2.4:1 movie with brightness set to low and then c) zoom the image to fill the screen width.

8. ADJUST THE LENS. Make adjustments to the lens vertical position in the lens bracket and the lens tilt so that the beam passes roughly centered through the optical elements without striking the sides. Note that tilting the lens will vertically shift the image so adjust the projector vertical shift to fix.

9. FINE TUNE COLOR CONVERGENCE (if necessary) using convergence features in the projector if available AFTER the Alpha Pro Lens is installed.

10. GET FAMILIAR WITH PROJECTOR SETTINGS.



2.4:1 Movies and Streaming

Sony: Set "Anamorphic Lens" to **1.32x** and "Aspect" to **V-Stretch**.

JVC: Set "Anamorphic Lens" to **Anamorphic A**.

Epson: Set "Aspect" to **Anamorphic Wide**.



2.0:1 Streaming

Sony: Set "Anamorphic Lens" to **1.32x** and "Aspect" to **V-Stretch**.

JVC: Set "Anamorphic Lens" to **Anamorphic A**.

Epson: Set "Aspect" to **Anamorphic Wide**.

Note: 8% of content is cropped at the top and bottom. If subtitles are still missing, use the 16:9 content settings.



16:9 Content (full mode)

Sony: Set "Anamorphic Lens" to **1.32x** and "Aspect" to **Normal**.

JVC: Set "Anamorphic Lens" to **Off**.

Epson: Set "Aspect" to **Auto**.

16:9 Content (16:9 mode)

Set Sony "Aspect" to **Squeeze** or JVC "Anamorphic Lens" to **Anamorphic B** or Epson "Aspect" to **Horizontal Squeeze** to remove the 33% horizontal stretch by adding wide sidebars.



For all other projector brands please see the user manual to determine if anamorphic modes are available.