

# NEAR-EYE DISPLAY SYSTEM USING MODULATED SUBPUPILS

First Generation

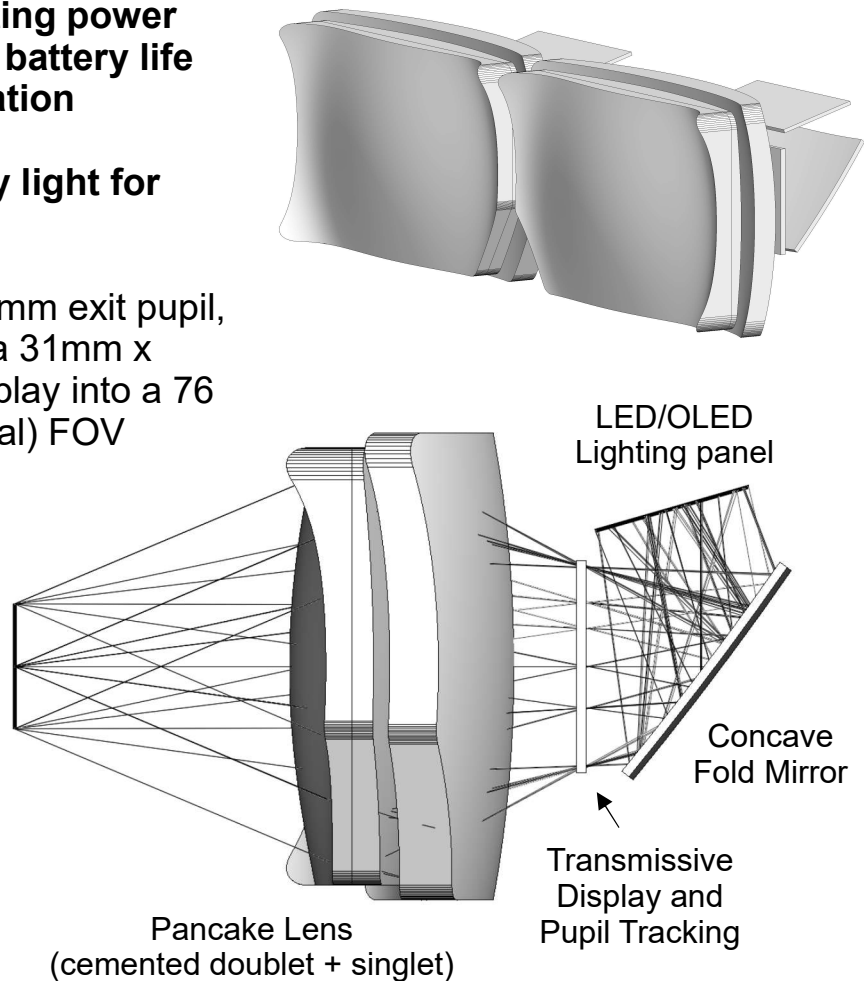
(Panamorph proprietary, patents pending, all rights reserved)

**80% reduction in lighting power usage for 5X wireless battery life and lower heat generation**

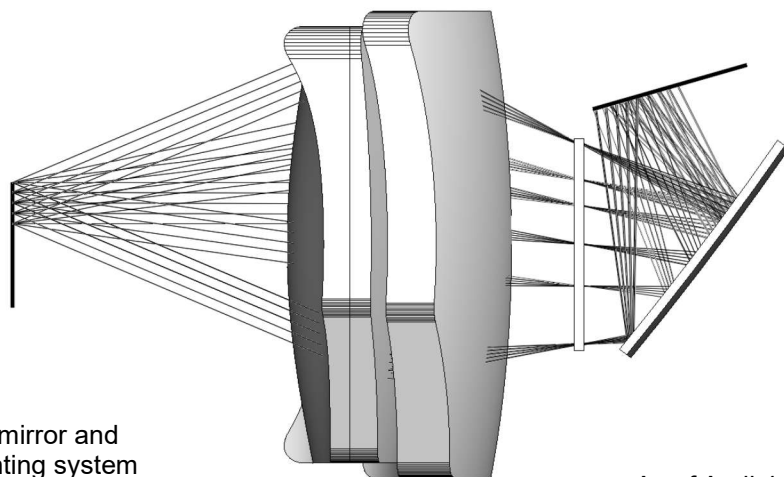
**80% reduction in stray light for higher contrast**

Shown with 18mm x 11mm exit pupil, 22mm eye relief using a 31mm x 17mm transmissive display into a 76 x 46 degree (89 diagonal) FOV

When all lighting sources are turned on the entire exit pupil is filled. However ...



... turning on only those light sources needed to provide light to the current eye pupil location allows approximately 80% of the light sources to be left off at any time.



Second generation replaces fold mirror and lighting panel with waveguide lighting system for a more compact arrangement.

As of April 4, 2022