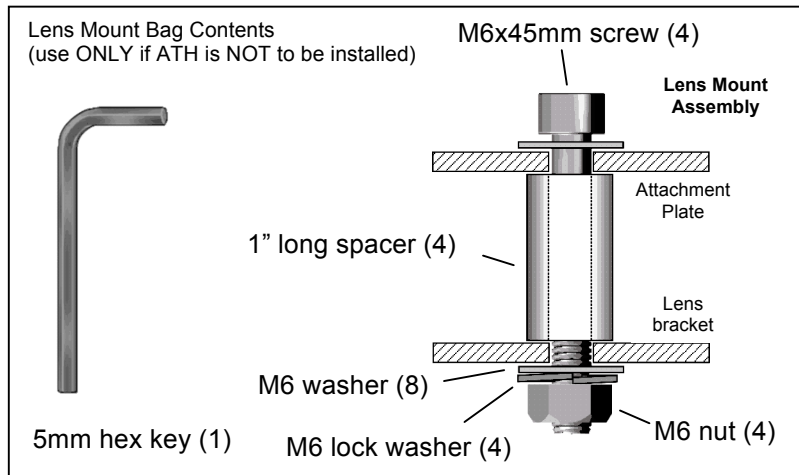


MOUNTING THE UH480 LENS WITH NO ATH TRANSPORT

This option is only for installations where the UH480 will be permanently positioned in front of the projector lens and electronic scaling will be used for all image content.

A. Remove the lens from its lens bracket and orient the lens bracket to the Attachment Plate so that the angled sides of the lens bracket are toward the projector. Install (but do not tighten) the four Lens Mount Assemblies through the appropriate set of four "L" holes and then through the center of the elongated holes of the lens bracket.



B. Turn the projector on and project a full, still 16:9 image

from the projector. Carefully install the lens into the bracket to create the wide screen image and adjust the tilt to equalize the top and bottom image geometry while positioning the lens vertically to center the output beam. **Note that it is normal that the center of the anamorphic lens will be below the center of the projector lens.** Tighten the lens knobs.

C. There is a small amount of play in the position of the Lens Mount Assemblies. If the horizontally expanded image is not perfectly centered on the screen, gently twist the lens bracket to correct this then use the included hex key to tighten the Lens Mount Assemblies.

WARNING!

Use extreme caution and appropriate hardware when installing heavy objects to a ceiling. Periodically check all fasteners and connection hardware to be sure they are not coming loose. Improper installation may lead to an increased risk of your equipment becoming unstable and possibly injuring someone.